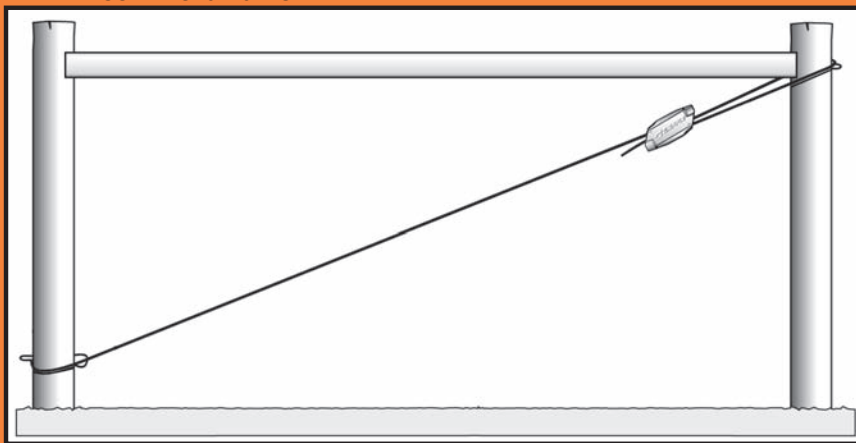


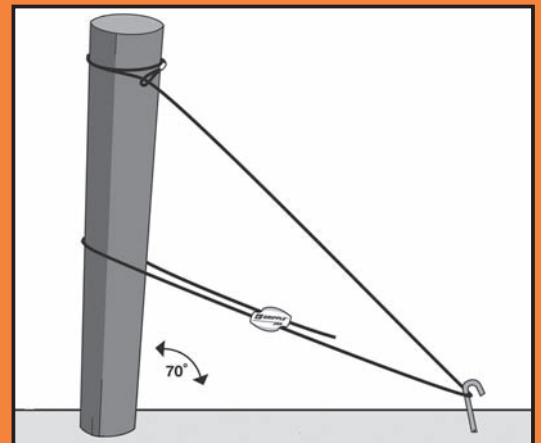


WARATAH® H-POST / ANCHOR-FAST® KIT

H-Post Installation



Anchor-Fast® Installation



- One kit, two applications, H-Post or Anchor-Fast®
- Install and tension in seconds
- Versatile end fixing allows for looping around wooden posts or through metal post holes
- Each kit comes complete with a length of heavy galvanised wire rope for optimum corrosion resistance
- Each kit also includes a Gripple Plus Large, ready for installation. Use the standard Gripple Tensioning Tool to tension as normal.



onesteel

Phone 13 10 80 or visit www.onesteelwaratah.com.au
®™ Registered Trademark of OneSteel Pty Limited, Ingall Street Mayfield,
NSW 2304. ABN 59 000 010 873. All rights Reserved. BS0123.

WARATAH®
FIRST - BECAUSE IT LASTS.